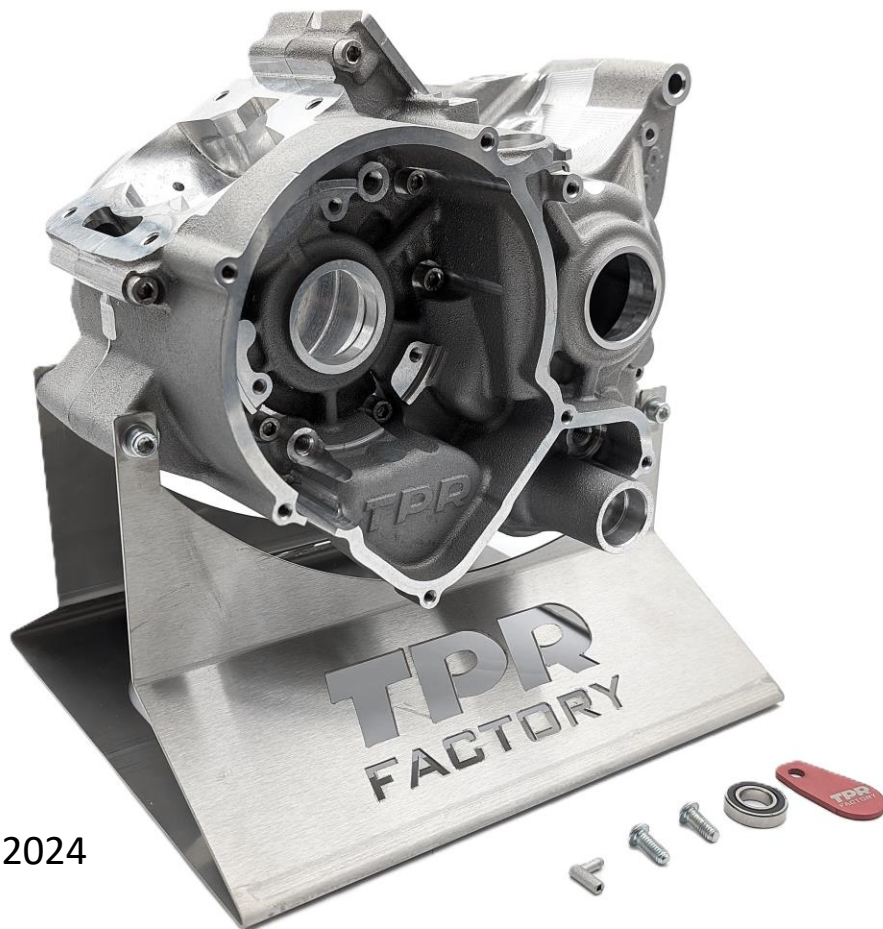




COMPLETE CRANKCASE TPR FACTORY AM 100cc FOR FLANGED CYLINDER REF. 99CRAF1000

TPR FACTORY

This crankcase is the ultimate expression of high performance research. Perfectly replaceable to the original, and complete interchangeability of gearbox, clutch and ignition. Completely redesigned intake for improved fluid dynamic efficiency with reed valve augmentation. Specific for flanged cylinders.



Availability: DECEMBER 2024
Price list: € 620 + Vat



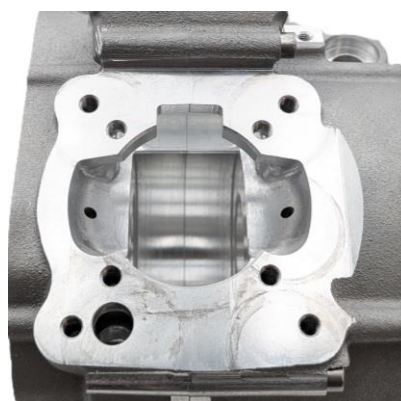
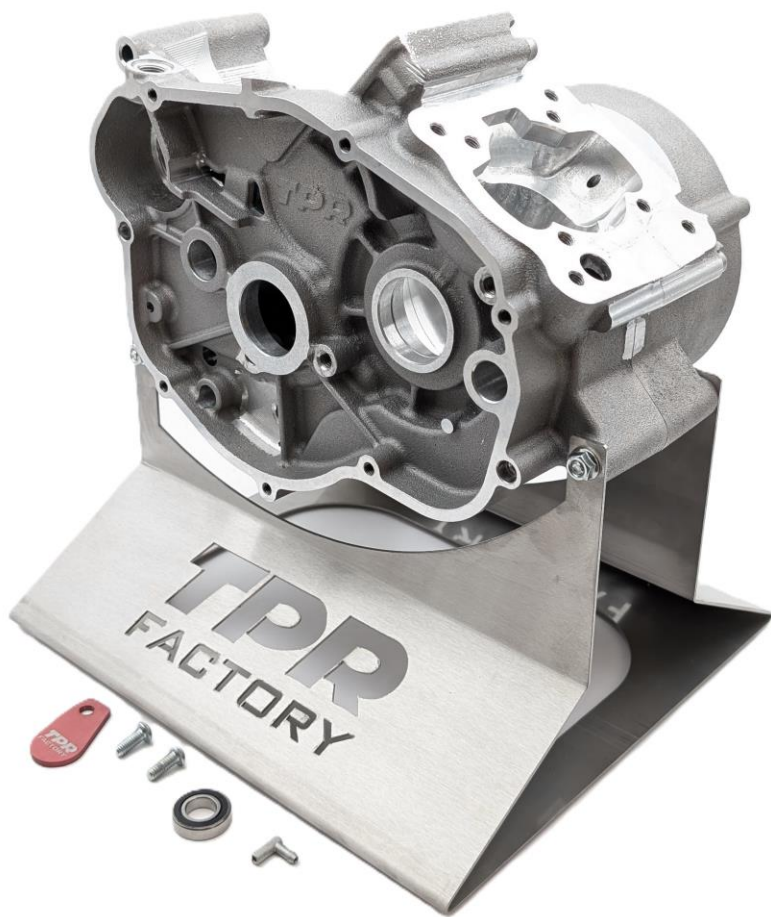
COMPLETE CRANKCASE TPR FACTORY AM 100cc

REF. 99CRAM1000



The TPR AM 100cc crankcase is designed for those who aspire to get high performance from their engine. Perfectly replaceable to the original, and complete interchangeability of gearbox, clutch and ignition. Completely redesigned intake for improved fluid dynamic efficiency with reed valve augmentation.

Already prepared to ALLOW 47 mm stroke crankshafts and Ø52 cylinders installation with through studs. In addition, flanged cylinders can also be mounted on it.



Availability: DECEMBER 2024
Price list: € 620 + Vat



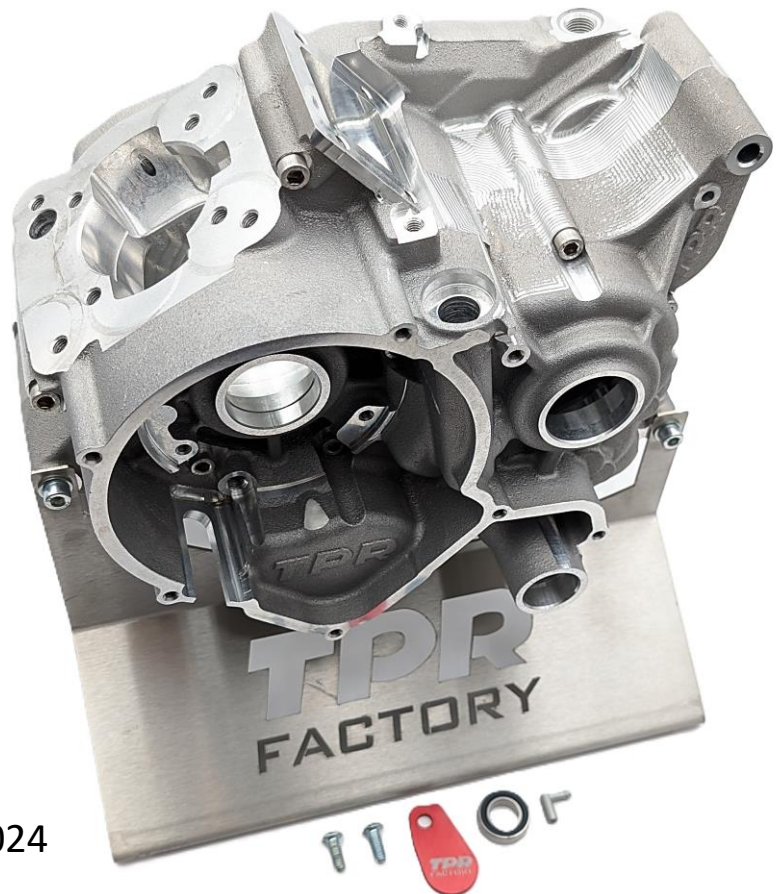
COMPLETE CRANKCASE TPR FACTORY

AM 50/86cc

REF. **99CRAM0500**

TPR FACTORY

The TPR AM 50/86cc crankcase is designed for those who want a performance crankcase that is perfectly replaceable to the original, as well as complete interchangeability with all original (and non-original) parts on the market. Completely redesigned intake for improved fluid dynamic efficiency.



Availability: DECEMBER 2024

Price list: € 620 + Vat



Red Ergal FWM Cover AM6 Engines

REF. **99CAAM010R**

TPR
FACTORY

APPLICATIONS:

All Minarelli AM series



Made of Anticorodal, an aluminum-silicon alloy-magnesium-manganese, machined entirely from billet with CNC machines

Availability: DECEMBER 2024

Price list: € 90 + Vat





Black Ergal FWM Cover AM6 Engines

REF. 99CAAM010N



APPLICATIONS:
All Minarelli AM series



Made of Anticorodal, an aluminum-silicon alloy-magnesium-manganese, machined entirely from billet with CNC machines

Availability: DECEMBER 2024
Price list: € 90 + Vat



TPR M8 MAGNETIC OIL DRAIN PLUG FOR AM ENGINES

REF. **99TOMM8R0**

TPR
FACTORY

APPLICATIONS:

All Minarelli AM series



Made of Ergal 7075 machined entirely from billet by CNC machines
with neodymium magnet and drilling for safety binding

Availability: DECEMBER 2024

Price list: € 25 + Vat



**DRIVE BELT HONDA FORZA 125cc SINCE 2021
MITSUBOSHI**



REF. 9938900

APPLICATIONS:

HONDA FORZA 125cc 4T 4V SINCE 2021

OEM Ref.: 23100-K40-A01 / 23100-K40H-A010-M1



Availability: NOVEMBER 2024

Price list: € 35,5 + Vat



DRIVE BELT HONDA SH 125/150cc SINCE 2020
MITSUBOSHI



REF. **9938910**

APPLICATIONS:

HONDA SH 125/150cc 4T 4V SINCE 2020

OEM Ref.: 23100-K0R-D01 / 23100-K0S-D01



Availability: NOVEMBER 2024

Price list: € 39,5 + Vat



DRIVE BELT HONDA SH/ FORZA/ADV 350cc
MITSUBOSHI



REF. **9938920**

APPLICATIONS:

HONDA SH/FORZA/ADV 350cc

OEM Ref.: 2300-K1B-T02 / 23100-K1B-T020-M2



Availability: NOVEMBER 2024

Price list: € 95,5 + Vat